

Operating Instructions

Pan/Tilt Head & Remote Control Unit WV-7260 & WV-7360



Pan/Tilt Head
Model WV-7260

Remote Control Unit
Model WV-7360

Panasonic

Before attempting to connect or operate this product, please read these instructions completely.

CONTENTS

	Page
INTRODUCTION	1
PRECAUTIONS	2
MAJOR OPERATING CONTROLS AND THEIR FUNCTIONS	3
INSTALLATION	4
CONNECTIONS	4
OPERATION	6
ADJUSTMENTS	7
TYPICAL SYSTEM CONNECTIONS	7
SPECIFICATIONS	8
STANDARD ACCESSORIES	8
OPTIONAL ACCESSORIES	8
SCHEMATIC DIAGRAM	8
OUTLINE DRAWING	9

INTRODUCTION

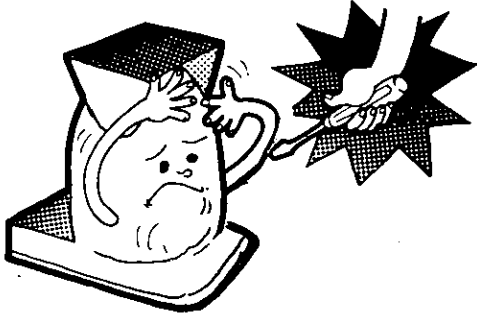
The WV-7260 heavy duty outdoor Pan/Tilt Head with Remote Control Unit allows remote control of camera panning and tilting with Outdoor Camera Housing. Pan/Tilt Head may be directly mounted on a flat surface. The camera can be panned from an angle of 10° ~ 340° at a speed of 7.2° /second, and can be tilted from an angle of up 15° , down 60° at a speed of 3.6° /second.

The WV-7360 Remote Control Unit, which can be mounted in an optional 19" rackmount frame, supplies low voltage (24V AC) to both one Pan/Tilt Head and Camera Housing, as well as a low voltage camera. It also supplies low voltage ($\pm 6V$ DC) to a motorized zoom lens. Controls ON/OFF power for low-voltage camera, zooming, focusing and iris for zoom lens; panning and tilting; wiper and defroster for camera housing.

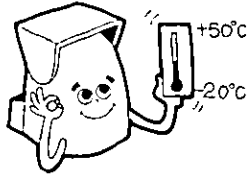
PRECAUTIONS

● Pan/Tilt Head WV-7260

1. Do not attempt to disassemble this unit.
There are no user serviceable parts inside. Refer servicing to qualified service personnel.



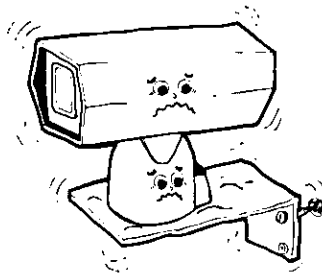
2. Use this unit within its rating.
 - Designed for outdoor use.
Ambient temperature must not range beyond $-4^{\circ}\text{F} \sim 122^{\circ}\text{F}$ ($-20^{\circ}\text{C} \sim +50^{\circ}\text{C}$).



3. Do not mount this unit inverted outdoors.
This unit has been assembled for upright mounting. When it is mounted in the inverted position, it is not protected from rain.



4. Select a flat location which can support the entire weight (pan/tilt head, camera, lens, camera housing).

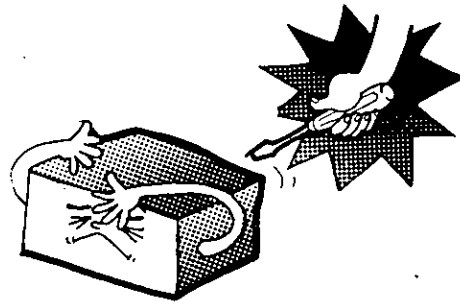


5. The input power source must be $24\text{V} \begin{smallmatrix} +10\% \\ -20\% \end{smallmatrix}$ ($19 \sim 26.4\text{V}$) AC 60Hz.
6. Mount a low voltage camera (24V AC) such as the Model WV-1004/1054/1104/1154 with outdoor camera housing such as the Model WV-7150/7160. External sync can not be supplied with this installation.

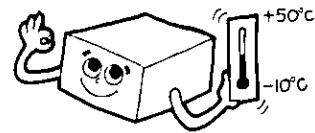
● Remote Control Unit WV-7360

WARNING:
TO PREVENT FIRE OR SHOCK HAZARD, DO NOT EXPOSE THIS APPLIANCE (Remote control unit) TO RAIN OR MOISTURE.

1. Do not attempt to disassemble this unit.
There are no user serviceable parts inside. Refer servicing to qualified service personnel.



2. Use this unit within its rating.
 - Designed for indoor use.
Ambient temperature must not range beyond $14^{\circ}\text{F} \sim 122^{\circ}\text{F}$ ($-10^{\circ}\text{C} \sim +50^{\circ}\text{C}$).
 - Avoid using this unit when humidity is above 90%.

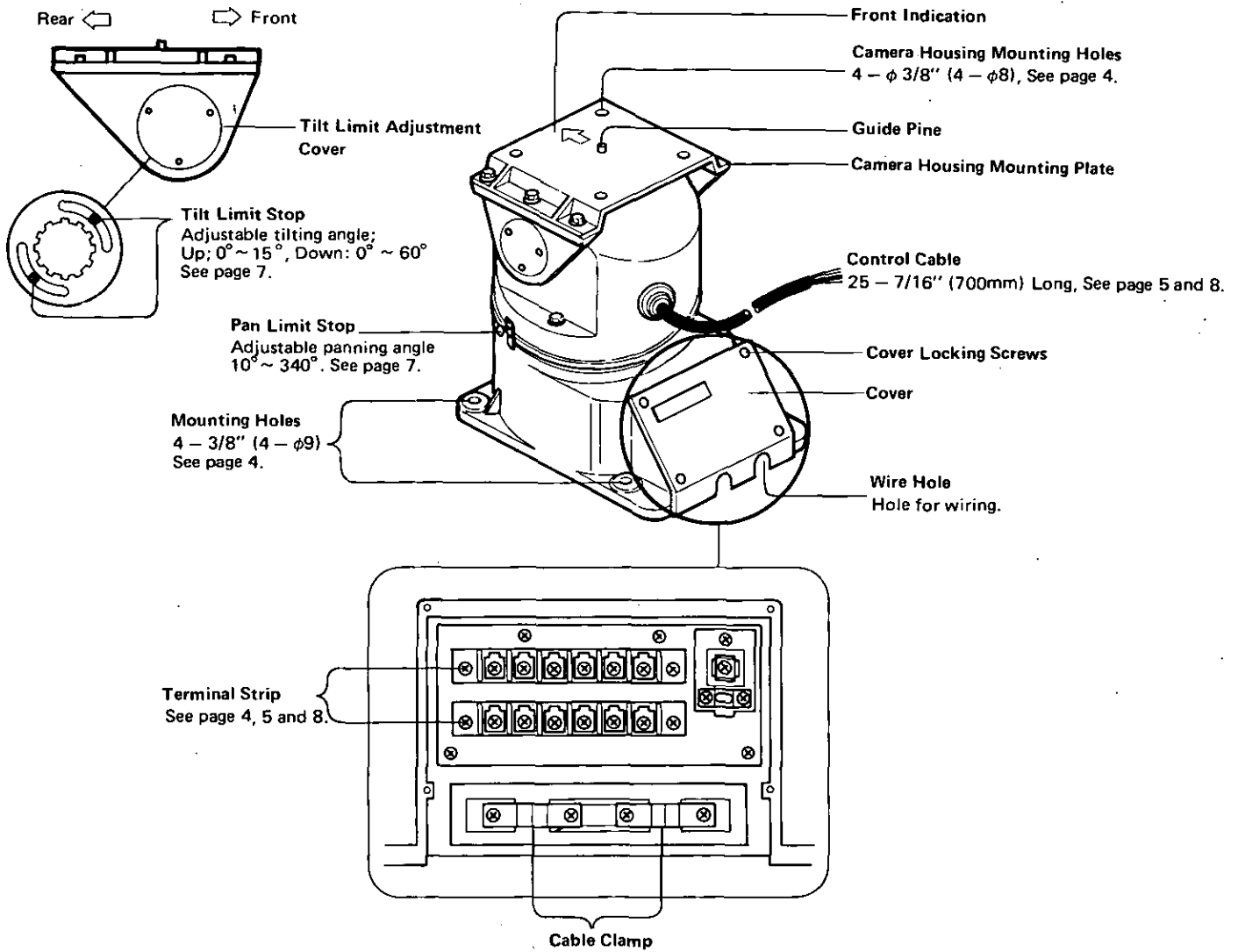


3. The input power source must be $120\text{V} \pm 10\%$ ($108 \sim 132\text{V}$) AC 60Hz.

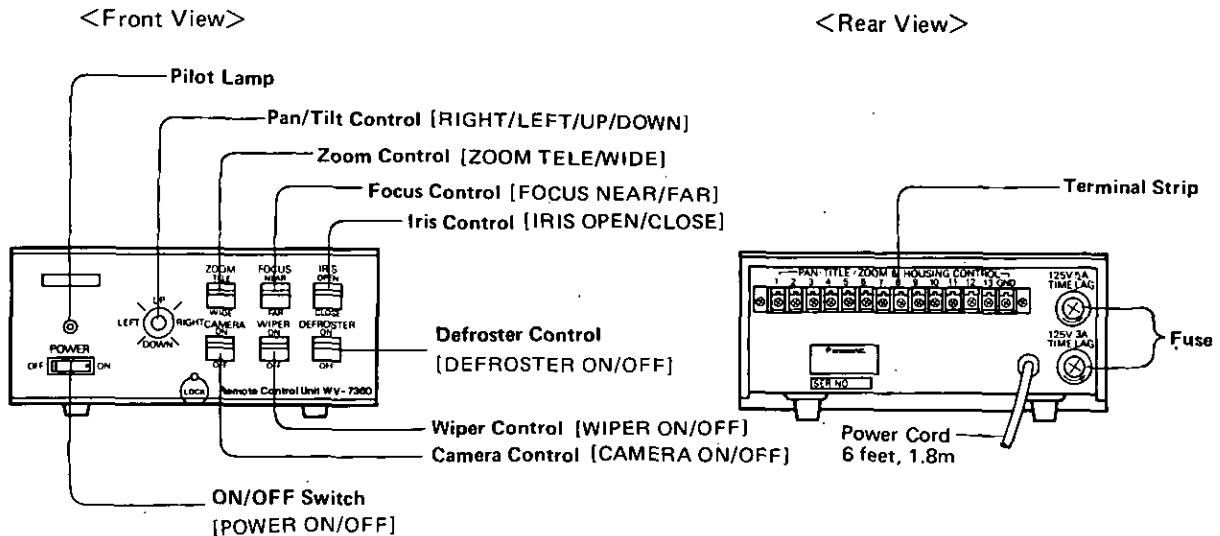
4. The Remote Control Unit can control only one Pan/Tilt Head.

MAJOR OPERATING CONTROLS AND THEIR FUNCTIONS

● Pan/Tilt Head WV-7260

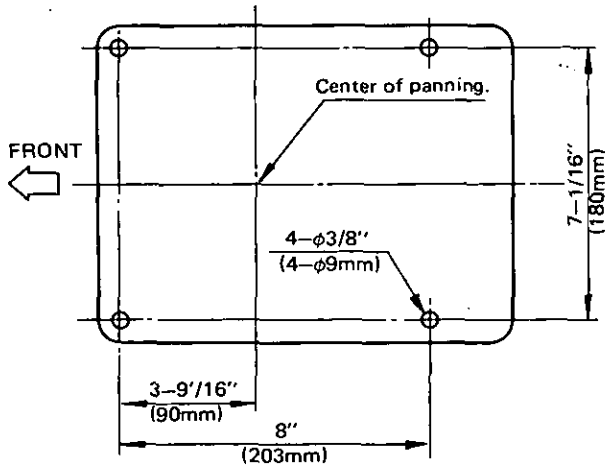


● Remote Control Unit WV-7360

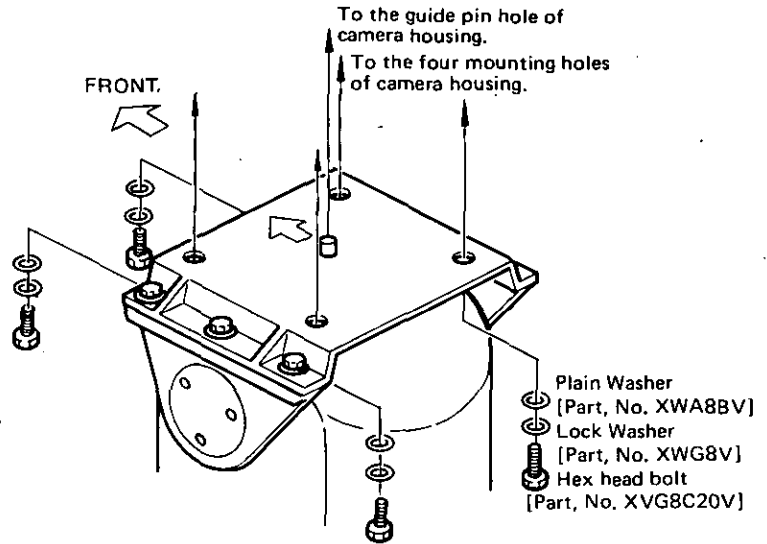


INSTALLATION

- Select a flat surface capable of supporting the combined weight of Pan/Tilt Head, Camera Housing, Camera, and Lens.
1. The Pan/Tilt Head must be securely fastened with four hex head bolts (not provided) using four Mounting Holes (4- $\phi 3/8''$, 4- $\phi 9\text{mm}$).



2. When mounting the outdoor camera housing on the Mounting Plate.
 - Four M8x20mm (5/16"x13/16") hex head bolts, plain washers and lockwashers are provided with the Pan/Tilt Head.
 - Use these to mount the camera housing as shown below.
- Be sure to align the camera direction and front direction of pan/tilt head.



CONNECTIONS

A. Terminal Strip

- Remove the cover and complete the wiring.

Cautions:

- Keep the power switch OFF during installation.
- Do not cause a short between terminals. This will cause a fuse to blow.

1. Direct control with Camera Housing WV-7150.
 - Select a multi-conductor cable with 8 or 9 conductors. The wire gauge can be determined by the Table 1.
 - The wire should meet FR-1 rating.
 - Recommended wire gauge size for 24V AC lines when using a camera whose power consumption is 13 watts.

[Table 1]

Copper wire gauge		8-conductor	9-conductor
#20 (0.52mm ²)	[ft]	115	230
	[m]	35	70
#18 (0.83mm ²)	[ft]	180	360
	[m]	55	110
#16 (1.31mm ²)	[ft]	260	520
	[m]	80	160
#14 (2.08mm ²)	[ft]	440	885
	[m]	135	270

2. Direct control with Camera Housing WV-7160 and Motorized Zoom Lens.

Select a multi-conductor cable with 14 or 15 conductors. The wire gauge can be determined by the Table 2.

- The wire should meet FR-1 rating.
- Recommended wire gauge size for 24V AC lines when using a camera whose power consumption is 13W and optional wiper.

[Table 2]

Copper wire gauge		14-conductor	15-conductor
#20 (0.52mm ²)	[ft]	65	130
	[m]	20	40
#18 (0.83mm ²)	[ft]	115	230
	[m]	35	70
#16 (1.31mm ²)	[ft]	160	325
	[m]	50	100
#14 (2.08mm ²)	[ft]	275	555
	[m]	85	170

Note: These values show the wire length when rated voltage (120V AC) is applied to the remote control unit (WV-7360).

3. Zoom Control with Camera Housing WV-7160.

Use a motorized zoom lens which can be controlled as follows:

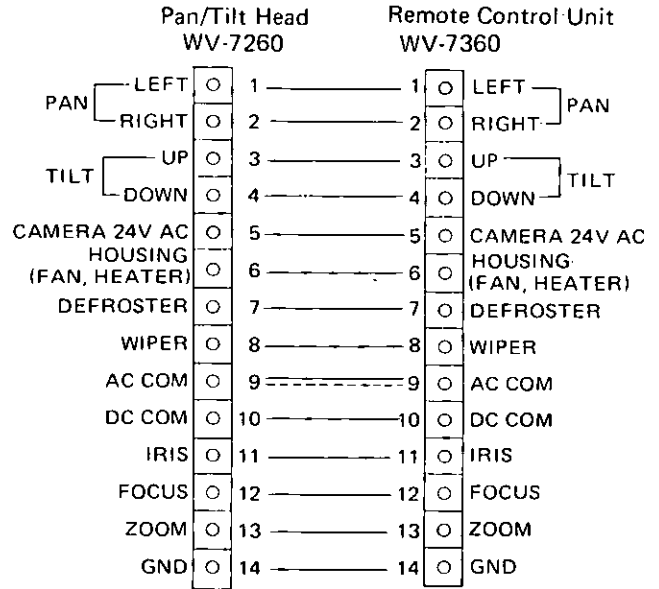
		Control Voltage	Control Current
	TELE	-6V DC	Less than 100mA
	WIDE	+6V DC	
Focus	NEAR	-6V DC	
	FAR	+6V DC	
Iris.	OPEN	-6V DC	
	CLOSE	+6V DC	

Note:

- When using a lens with a built-in auto-iris control circuit:
It is unnecessary to connect the iris line (Terminal No. 11).
- When using lens without a built-in auto-iris control circuit.
If auto-iris is desired be sure to use the Remote Control Unit (WV-7460) and the Relay Box (WV-7465) which has an auto-iris circuit inside. It is impossible to use the Remote Control Unit (WV-7360) which has no auto-iris circuit inside.

4. Wiring between WV-7260 and WV-7360.

Clamp the cable with cable clamps and connect one wire to each terminals. If 9 or 15 conductor cable is used, connect the 9th or 15th wire to terminal #9 which doubles the common (return) line of 24V AC line. (A multi-conductor cable is not provided.)



- It is unnecessary to connect No. 7, No. 8, No. 10, No. 11, No. 12 and No. 13 when using the Camera Housing WV-7150.

B. Video Terminal Board

1. Wiring precautions:

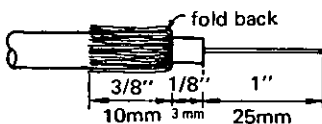
- Do not bend coaxial cable into a curve whose radius is smaller than 10 times diameter.
- Never staple the cable — not even with circular staples.
- Never crush or pinch the cable.

All these will change the impedance of the cable and cause poor picture quality.

2. Use 75Ω cable (RG-59, RG-59A/U, RG-59B/U, RG-59/U, RG-6/U, RG-11/U)

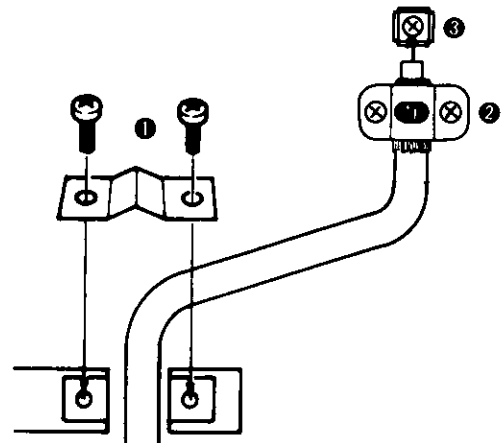
3. Wiring

- Prepare coaxial cable as shown as below.



• Connect as follows.

- Clamp the coaxial cable with Cable Clamp.
- Hold the shield wire.
- Connect the inner conductor.

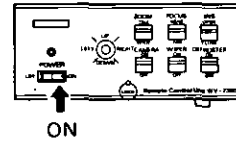


C. Power Cord (WV-7360)

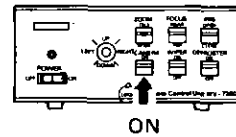
1. Keep the Power switched OFF during installation.
2. Connect the Power Cord to a 60Hz grounded electrical outlet, 108V AC to 132V AC, preferably 120V AC.
- After all connections, replace the cover.

OPERATION

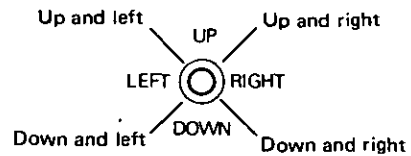
1. Depress the ON/OFF switch to ON. The pilot lamp will light. The remote control unit has now energized the pan/tilt head, camera housing and motorized zoom lens (WV-7160 only).



2. To turn on the camera, depress the Camera Control.

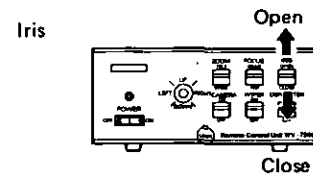
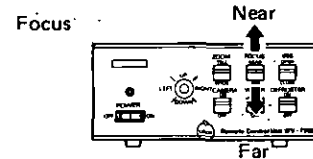
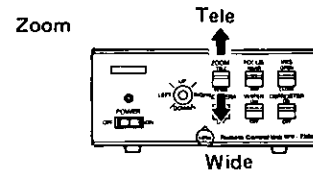


3. To pan or tilt the head, operate the joystick Pan/Tilt Control for UP, DOWN, LEFT and RIGHT. To drive in two axes at once, incline the lever of this control to desired direction.

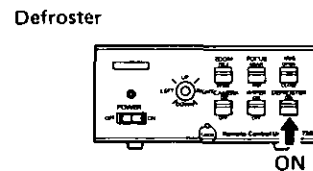


• The following operations are only for use with the Camera Housing WV-7160.

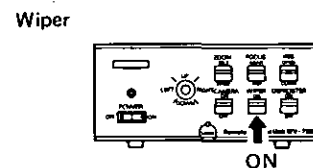
4. If a motorized zoom lens is mounted on the camera, it is possible to remote control the ZOOM, FOCUS and IRIS. Depress the Zoom, Focus or Iris Control upward or downward for obtaining the desired condition.



5. Turn the Defroster Control on or off.



6. Turn the Wiper Control on or off. (When the optional Wiper Unit WV-Z50 is mounted to the Camera Housing WV-7160).

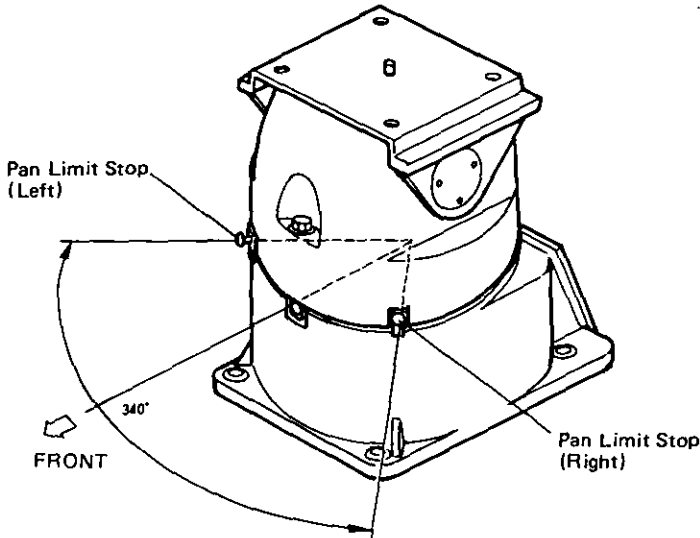


ADJUSTMENTS

After cable is assembled and unit connected, plug the Remote Control Unit into a 120V AC source and proceed as follows.

A. Panning Angle

1. Loosen the Pan Limit Stops.

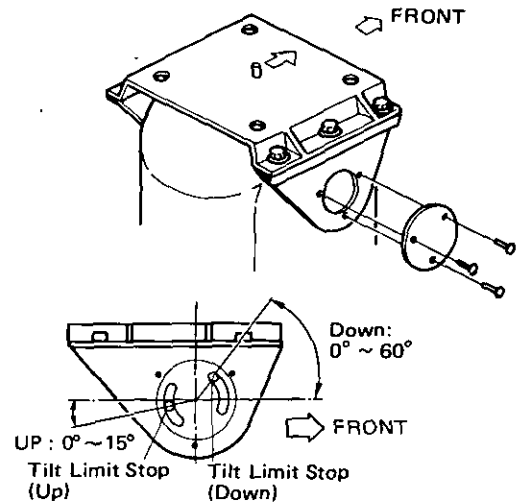


2. Turn on the ON/OFF switch to energize unit, then rotate Pan/Tilt Head using joystick Pan/Tilt Control until desired right pan limit is reached.
3. Locate the right pan limit stop and move until it contacts limit switch actuator. Move stop additional slight amount to deflect actuator until a "click" is heard indicating opening of limit switch. Lock stop in place.
4. Rotate Pan/Tilt Head to the desired left limit position. Adjust left pan limit stop as before.

5. With both limit stops in place, pan to both stop positions and recheck for exact trim of limit stops. Tighten both stops securely.

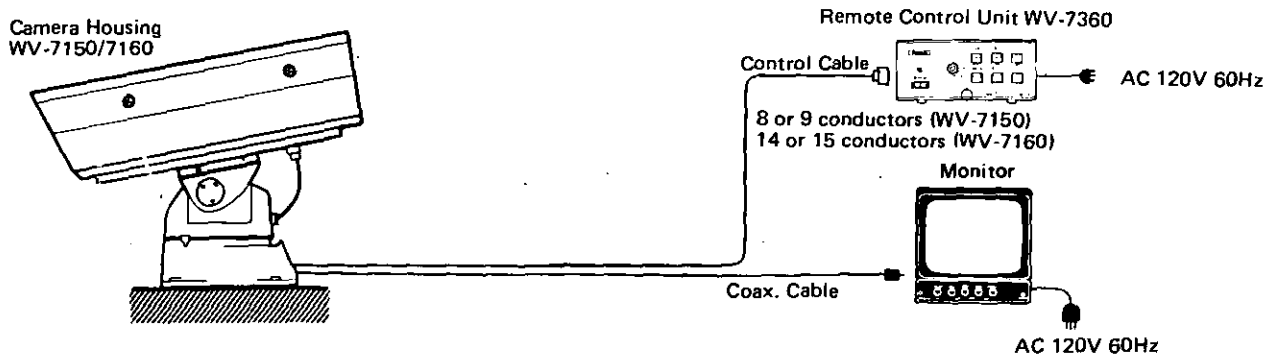
B. Tilt Limit Stop

1. Remove the Tilt Limit Adjustment Cover.



2. Loosen the two recessed Tilt Limit Stops and rotate Pan/Tilt Head using joystick Pan/Tilt Control until desired up limit is reached.
3. Move the up limit stop toward bottom end of slot until a "click" can be heard. Tighten screw.
4. Adjust the down limit stop the same way.
5. Lock limit stops securely in place after checking for trim.
6. Replace the cover.

TYPICAL SYSTEM CONNECTIONS



SPECIFICATIONS

● Pan/Tilt Head WV-7260

Remote control unit	WV-7360, WV-7460 (optional)	Tilting speed	Approx. 3.6°/sec.
Mountable housing	WV-7150, WV-7160 (optional)	Tilting angle	Up: 15°, Down: 60° (adjustable)
Power source	24V AC	Load weight	Less than 44 lbs (20 kg)
Power consumption	Approx. 24W	Ambient operating temperature	-4°F ~ 122°F (-20°C ~ +50°C)
Panning	Manual	Dimensions	8-3/16"(W) x 11-13/16"(H) x 10-7/8"(D) [208(W) x 300(H) x 276(D) mm]
Panning speed	Approx. 7.2°/sec.	Weight	Approx. 28½ lbs (13 kg)
Panning angle	10° ~ 340° (adjustable)		
Tilting	Manual		

● Remote Control Unit WV-7360

Pan/tilt head	WV-7260 x 1 (optional)	Tilting	Manual: UP/DOWN
Power Source	120V AC 60Hz	Power supply	AC 24V, DC±6V
Power consumption	Max. 135W (including WV-7260 Panasonic 24V AC camera, heater, blower, defroster wiper and motorized zoom lens.)	Ambient operating temperature	14°F ~ 122°F (-10°C ~ +50°C)
		Ambient operating humidity	Less than 90%
Controls	Camera power, panning, tilting, zoom, focus, iris, defloster and wiper.	Dimensions	8-3/8"(W) x 3-13/16"(H) x 6-11/16"(D) [210(W) x 95(H) x 170(D) mm]
Panning	Manual: RIGHT/LEFT	Weight	Approx. 8 lbs (7.9 kg)

STANDARD ACCESSORIES (Supplied)

● Pan/Tilt Head WV-7260

- Hex Head Bolt [Part No. XVG8C20V]..... 6 pcs.
- Plain Washer [Part No. XWA8BV]..... 6 pcs.
- Lock Washer [Part No. XWG8V]..... 6 pcs.

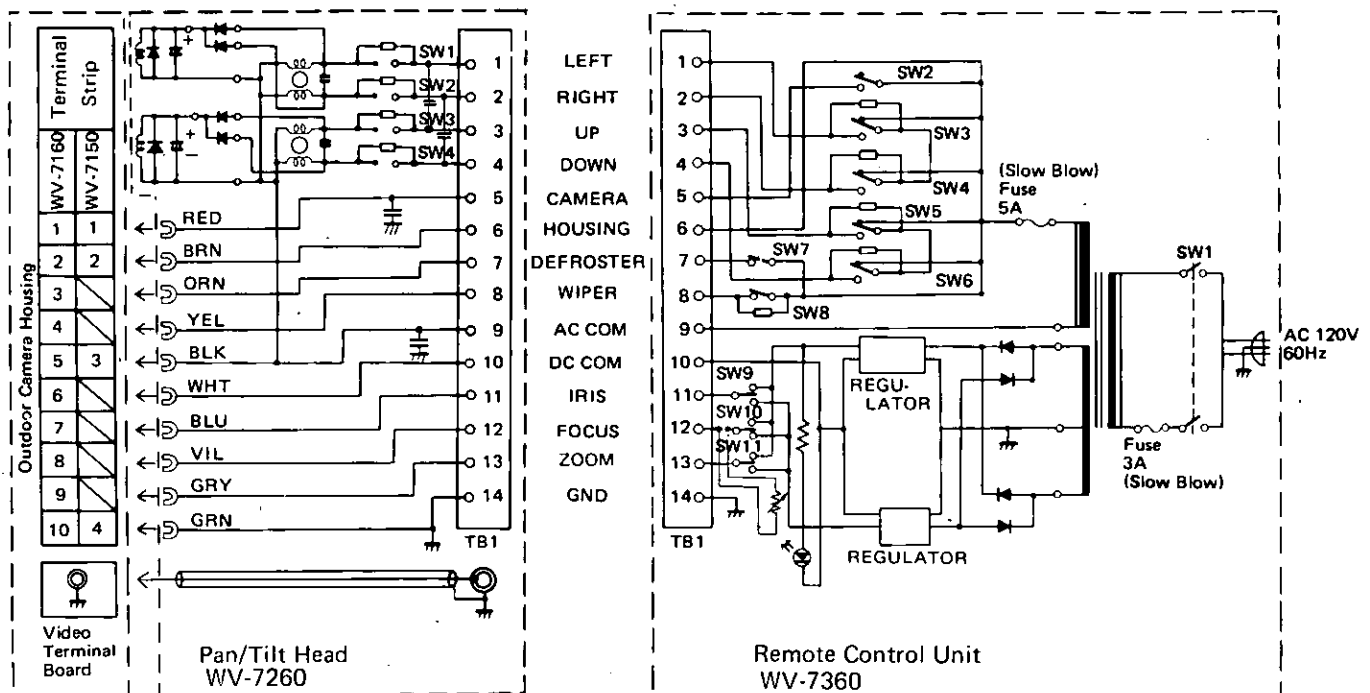
● Remote Control Unit WV-7360

- 3 Amp. 125v AC (Slow Blow)
[Part No. YWST6-3A]..... 1 pc.
- 5 Amp. 125V AC (Solw Blow)
[Part No. YWST6-5A]..... 1 pc.

OPTIONAL ACCESSORIES

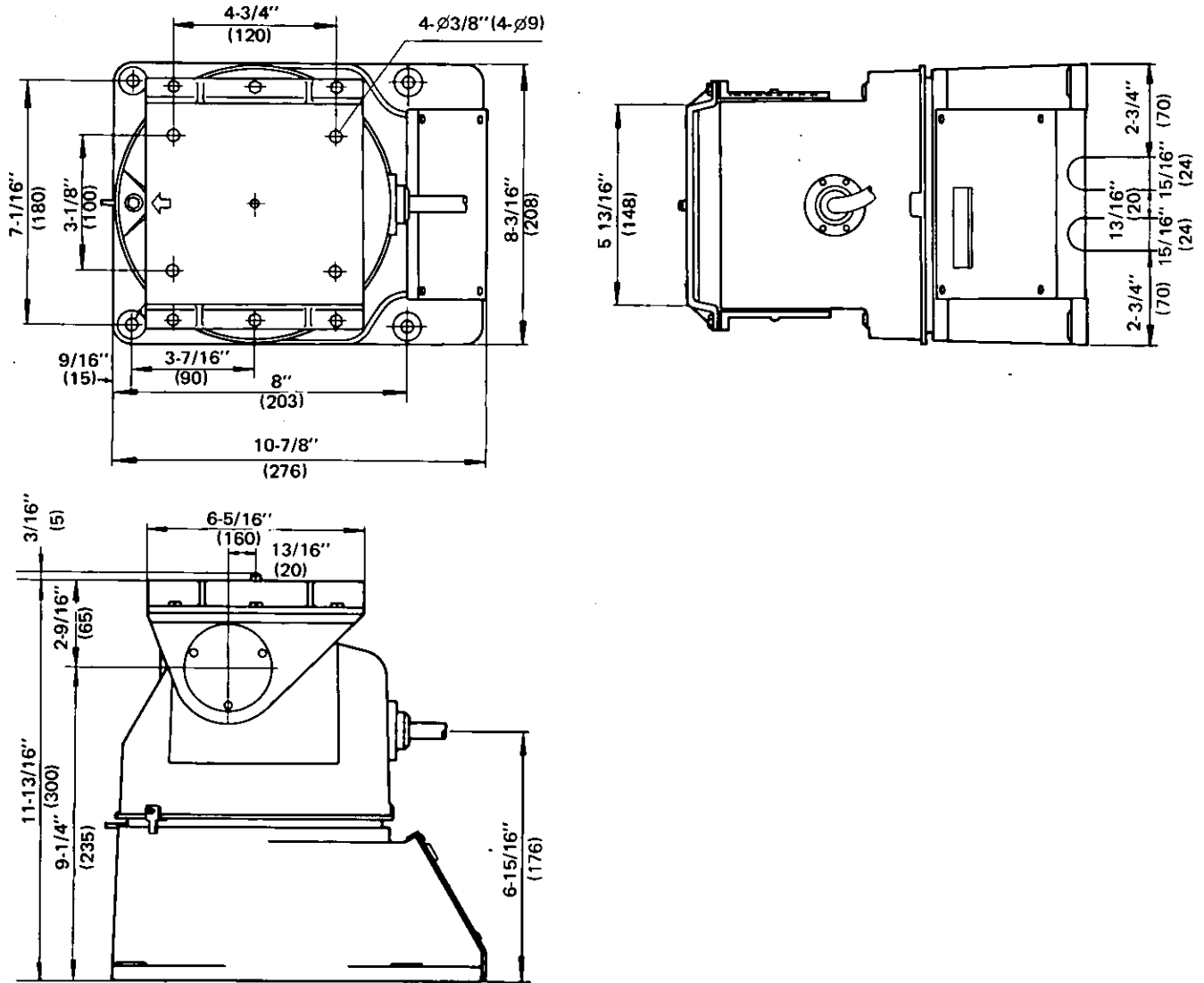
Rack Mount Flame (WJ-A01, WJ-B02)

SCHEMATIC DIAGRAM

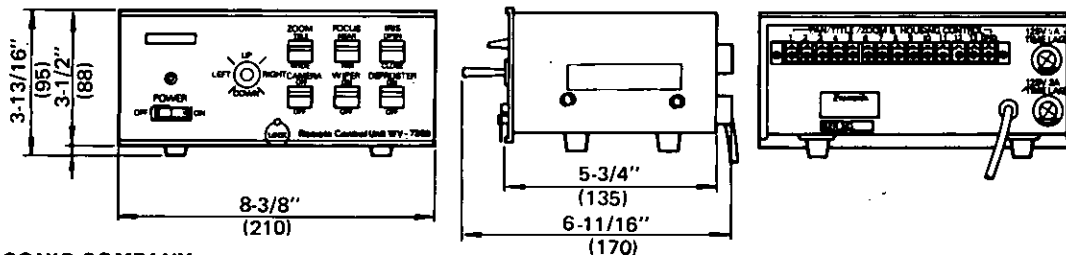


OUTLINE DRAWING

● Pan/Tilt Head WV-7260



● Remote Control Unit WV-7360



PANASONIC COMPANY Division of Matsushita Electric Corporation of America

Executive Office: One Panasonic Way, Secaucus, New Jersey 07094 (201) 348-7000

Video Systems Division Executive Office: One Panasonic Way, Secaucus, New Jersey 07094 (201) 348-7000

Eastern Regional Office: Panasonic Video Systems, 50 Meadowlands Parkway, Secaucus, New Jersey 07094 (201) 348-7627

Midwest Regional Office: Panasonic Video Systems, 1098 Greenleaf Avenue, Elk Grove Village, Illinois 60007 (312) 593-0710

Southeast Regional Office: Panasonic Video Systems, Two Meca Way, Duluth, Georgia 30136 (404) 448-5683

Southwest Regional Office: Panasonic Video Systems, 1825 Walnut Hill Lane Irving, Texas 75062(214)258-2828

Western Sales Office: Newcraft Inc., 8383 Wilshire Blvd., Beverly Hills, California 90211 (213) 655-1111

Matsushita Electric of Hawaii Inc., 320 Waiakamilo Road, Honolulu, Hawaii 96817 (808) 847-5361

Matsushita Electric of Canada Limited, 40 Ronson Drive, Rexdale, Ontario M9W 1B5 Canada (416) 248-5551

Panasonic Sales Company: Ave. 65 de Infanteria, Km. 9.7, Victoria Industrial Park, Carolina, Puerto Rico 00630(809)769-4320

